

Sika® - PM 4207

Salute the next generation
in sprayed concrete equipments

Putzmeister



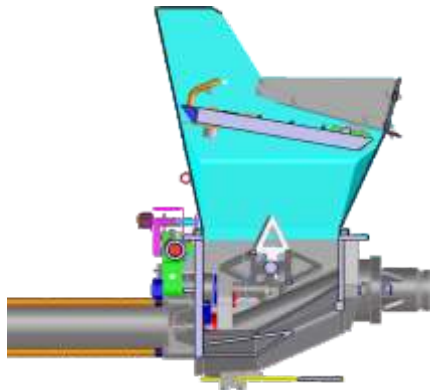
Universal concrete spraying system with on-board compressor

Putzmeister is glad to present the next generation of Concrete Spraying Equipment for lower sections in tunnelling and mining. The Sika[®] PM 4207 is the result of a technical development based on the experience and knowledge that was acquired in the last few years through its successful predecessor, the Sika[®] PM 407, on construction sites all over the world.

This new series of machines will provide our clients with a range of new benefits that will undoubtedly make it a world reference in its field of application.



Specially designed hopper with agitator and vibrator grill for shotcrete operation with steel / polymer fibres.



Everything you need on board

The highlight: Even in the PC variant with additionally integrated screw compressor, it remains as compact and flexible as the predecessor model. This was a particular request from customers and makes its use significantly more mobile and independent than with the previously available machines with similar dimensions.

Intelligent articulated chassis

The basis for this is an intelligent chassis concept as a platform, on which different customer-specific requirements can be realised. During development, great emphasis was placed on a very robust frame, which is adapted to the highest stresses of working in a tunnel.

Main features:

- Extremely robust and compact design, purpose-built for working conditions of mining and tunnelling.
- Deutz Tier-3 diesel engine, air-/oil-cooled. Simple and extremely reliable.
- On-board screw compressor*. 6,5-7 m³ min, 7,5 bar max. Electronically controlled.
- Double piston concrete pump P715. VHS control system. Simple and with extremely long maintenance intervals.
- More efficient and accurate additive management system, resulting in cost savings for the client.
- On-board computer with multilingual colour display which indicates performance, composition of ingredients, fault diagnosis, alarms, etc.
- Cabin design according to FOPS ROPS criteria.
- Xenon working lights.
- Protected outriggers.
- Turbo engine for working at high altitude.

	Spraying	Unfold
	Max. Reach	Min. Section
Vertical	9 m	2,5 m
Horizontal	7 m	3,2 m

Optional Equipment:

The available optional package is designed to adapt the equipment to the most diverse and particular working conditions upon request.

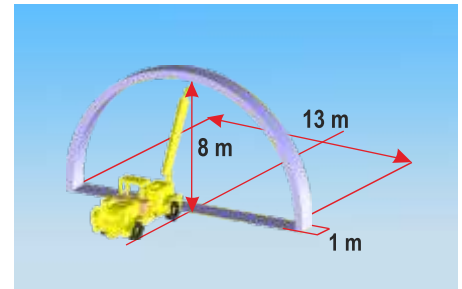
- Cable reel with 100 m.
- Wireless remote control
- High pressure water pump. Diesel and electrical operation.

Optional Equipment recommended for mining:

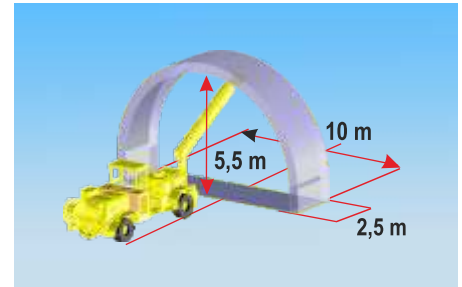
- Mining wheels.
- Catalyst
- Particle filter
- Integrated fire extinguishing system
- Voltages up to 1000 V (50 & 60 Hz)

* Version PC

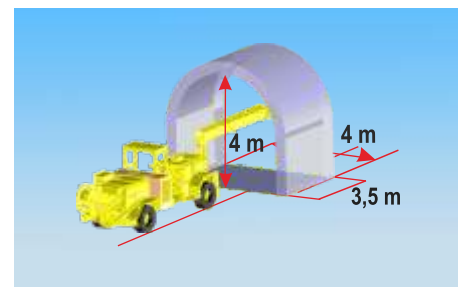
Once again Putzmeister, driven by the internal philosophy of continuous improvement, is able to offer its client the best solutions in the field of underground construction.



Spraying arm designed to work in medium and small tunnel sections.

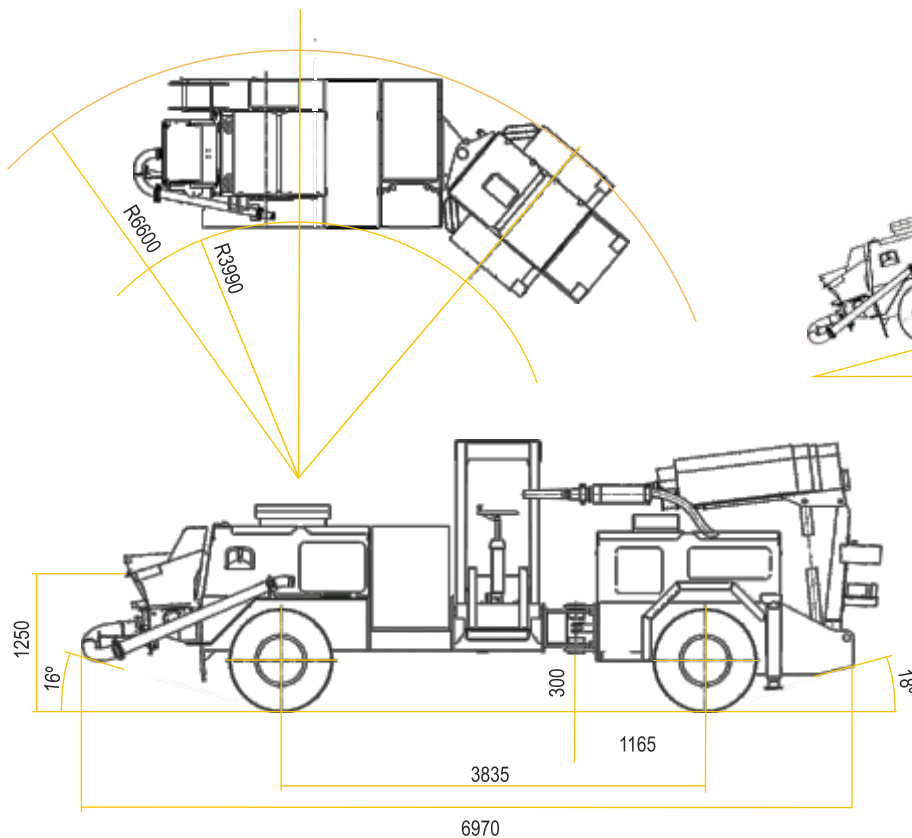


Easy to handle and optimum maneuverability.



Great stability and high spraying performance.





Versión PC

Max. 35% (PC)

General Data

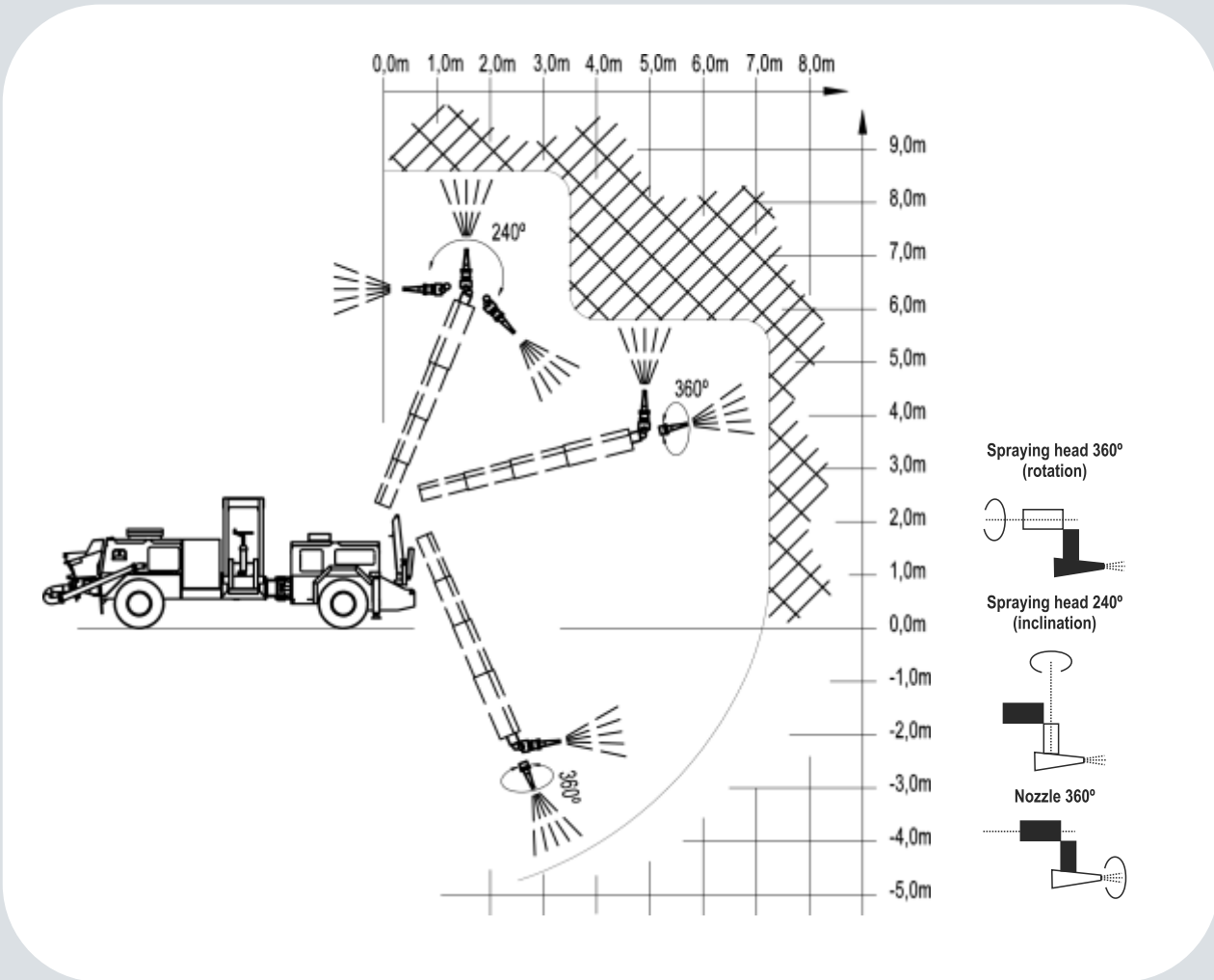
	Sika® PM 4207 P	Sika® PM 4207 PC
Dimensions		
Transport length	6210 mm	6970 mm
Transport width	2000 mm	2000 mm
Transport height	2500 mm	2500 mm
Weight	7600 Kg	8500 Kg
Wheel base	3075 mm	3835 mm
Ground clearance	300 mm	300 mm
Turning radius		
outer	5400 mm	6600 mm
inner	3080 mm	3990 mm
Max. Climbing Ability	45%	35%

Carrier

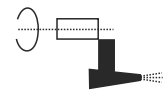
Sika® PM 4207 P - Sika® PM 4207 PC

Engine	Turbo Diesel, Deutz TD 2011
Motor output	57,5 kW / 2600 r.p.m
Cooling	Air-oil
Speed	20 km/h
Steering	Hydraulic cylinder (articulated vehicle)
Cable reel	
Voltage	400 V 50 Hz / 440 V 60 Hz
Cable length	50 m / 100 m (optional)
Roll on/off	manually
Liquid additive dosing system	
Synchronized with the pumping	
Hidraulically operated	
Type	Peristaltic
Flow	35-500 l/h
Control system	Electronic, PLC
Tank capacity	200 l

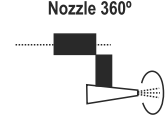
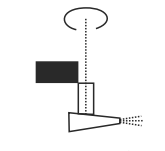




Spraying head 360°
(rotation)



Spraying head 240°
(inclination)



Compressor PM37 (only for PC Version)

Power supply voltage	400 V / 440 V (optional)
Power supply frequency	50 Hz / 60 Hz (optional)
Working pressure (manom.)	4 bar / 7,5 bar (min. / max.)
Max. Air Flow	6,5-7 m ³ /min
Outlet connection	1 1/2 G
Oil amount in the compressor circuit	20L
Engine speed	2970 r.p.m. / 3540 r.p.m.
Engine power (continuous service)	37 kW
Appox. Weight	860 kg
Cooling system	AIR

Dual operation devices (Diesel/electric)

Front stabilizers
Telescopic spraying arm
Control panel
High pressure water pump

Concrete pump

PM 715	
Type	Double Piston pump
Delivery cylinder diameter	150 mm
Hydraulic cylinders	700 mm theoretical stroke
Concrete output (min. / max.)	4-20 m ³ /h
Concrete pressure max.	7,0 Mpa / 65 bar
Grain size max.	16 mm
Electric motor power	30 kW

Telescopic spraying arm Aliva - 302

Arm	
Rotation angle (left/right)	330°
Rotation angle (up/down)	+ 63° / +65°
Main Arm extension	3 (all protected with cover)
Arm extension telescopic movement	2925 mm
Vertical Reach	9000 mm
Horizontal Reach	7000 mm

Head	
Swing angle arm	180°
Spraying head rotation	360°
Spraying head inclination	+240° / -240°



Putzmeister Sika
EXPERTS ON SPRAYED CONCRETE

Tel: (+34) 914 288 100
marketing@putzmeister.es - www.putzmeister.es/shotcrete

Putzmeister